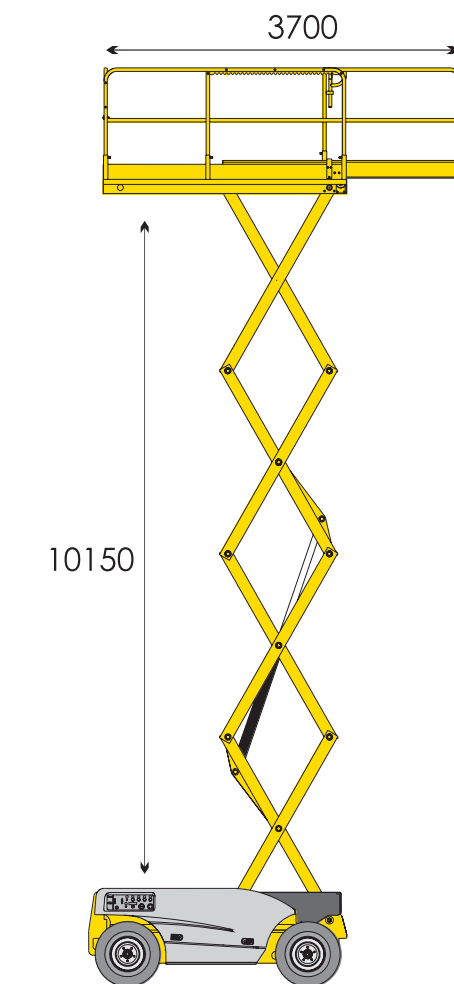
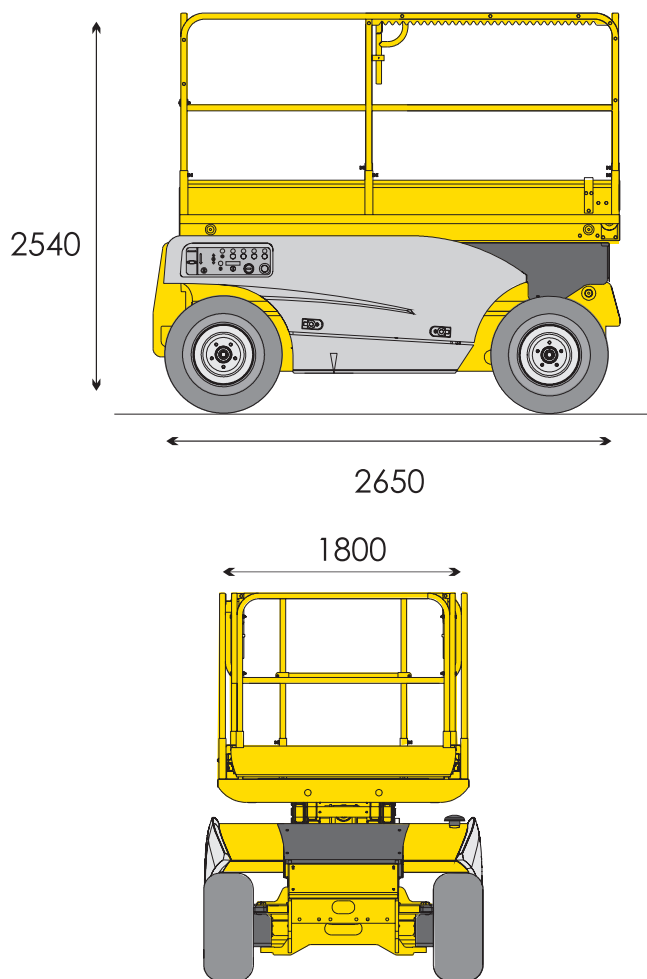


modello

COMPACT 12 DX

VERTICALI



12,15

450 KG

DIESEL

3,70

2,65x1,80 m

40%

10,15

1,68

3830 KG