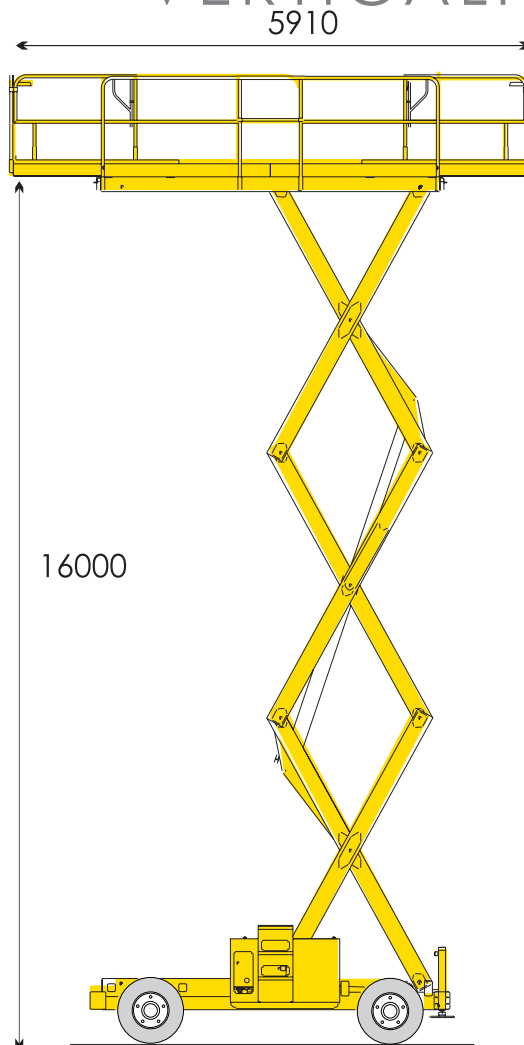
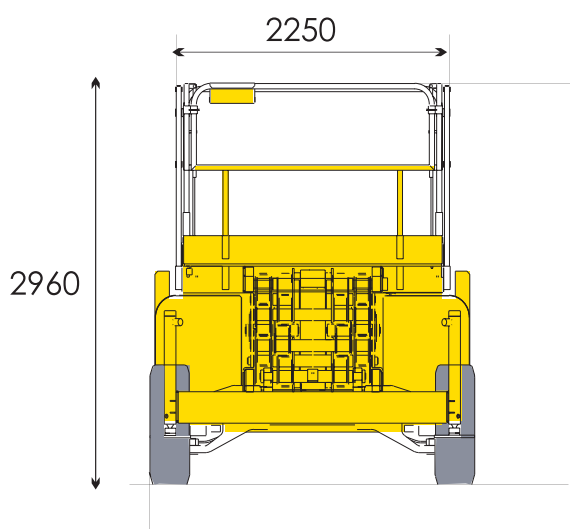
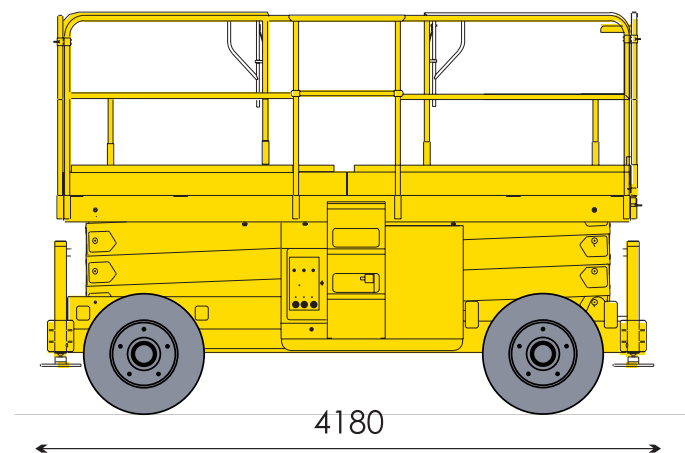


modello H18SX

VERTICALI



18,00

500 KG

DIESEL

5,91

3,91x1,81 m

40%

16,00

2,11

7300 KG